

Parts Manual for:

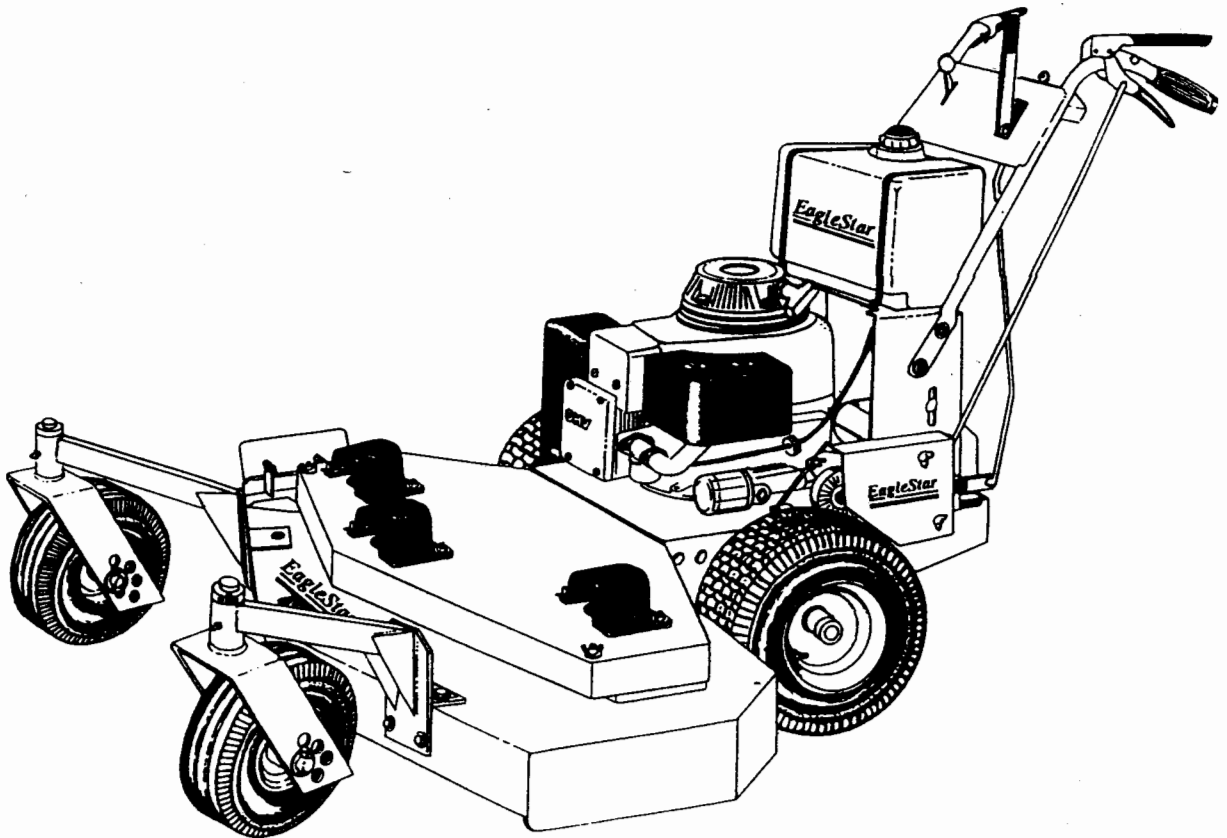
# *EagleStar*

---

---

Models    ESMKW36120  
              ESMKW48120  
              ESMKW48140

## 36" & 48" COMMERCIAL MOWERS



EAGLESTAR, P.O. BOX 8, BEATRICE, NEBRASKA, 68310 U.S.A.

MODEL NUMBER \_\_\_\_\_

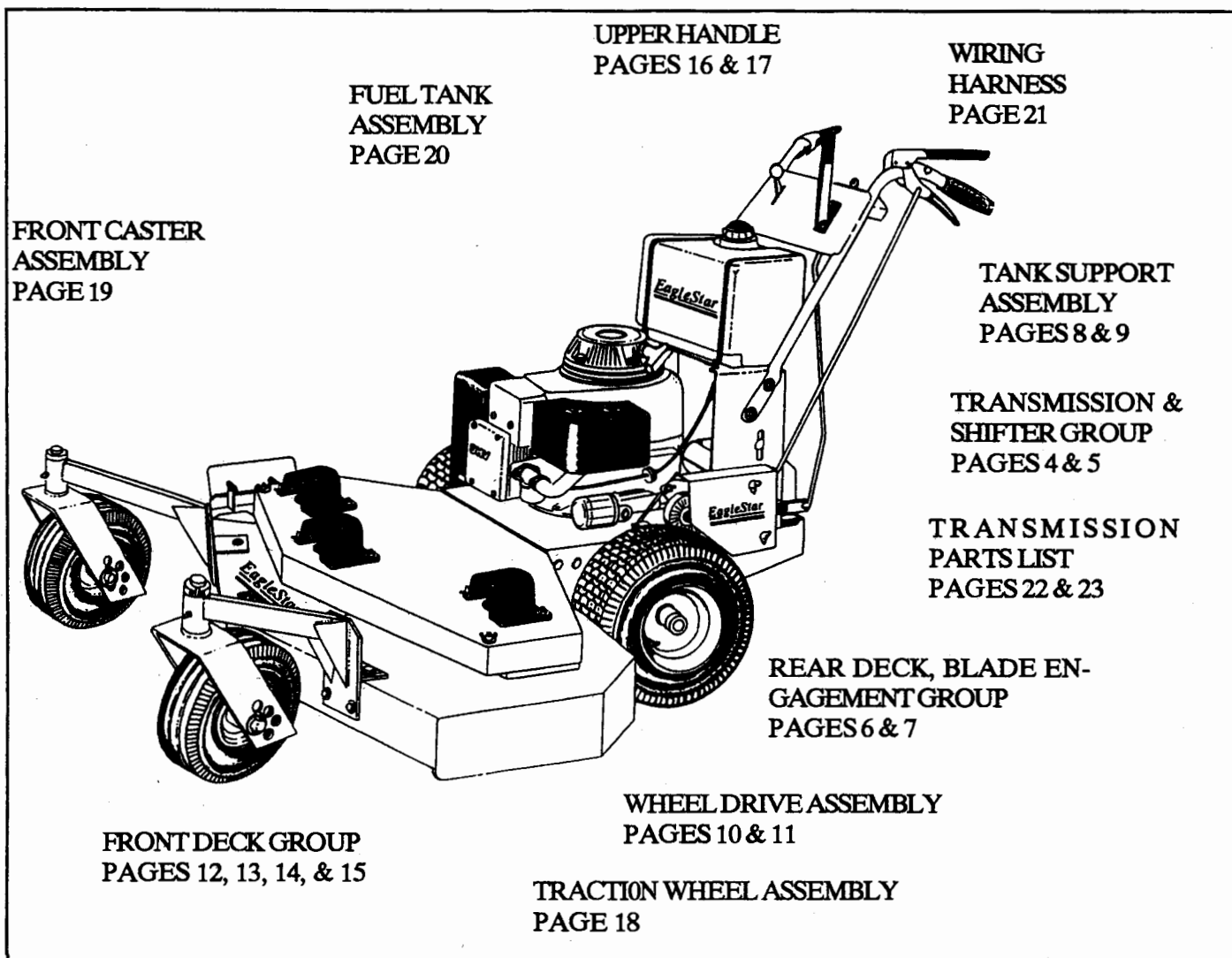
SERIAL NUMBER \_\_\_\_\_

DATE PURCHASED \_\_\_\_\_

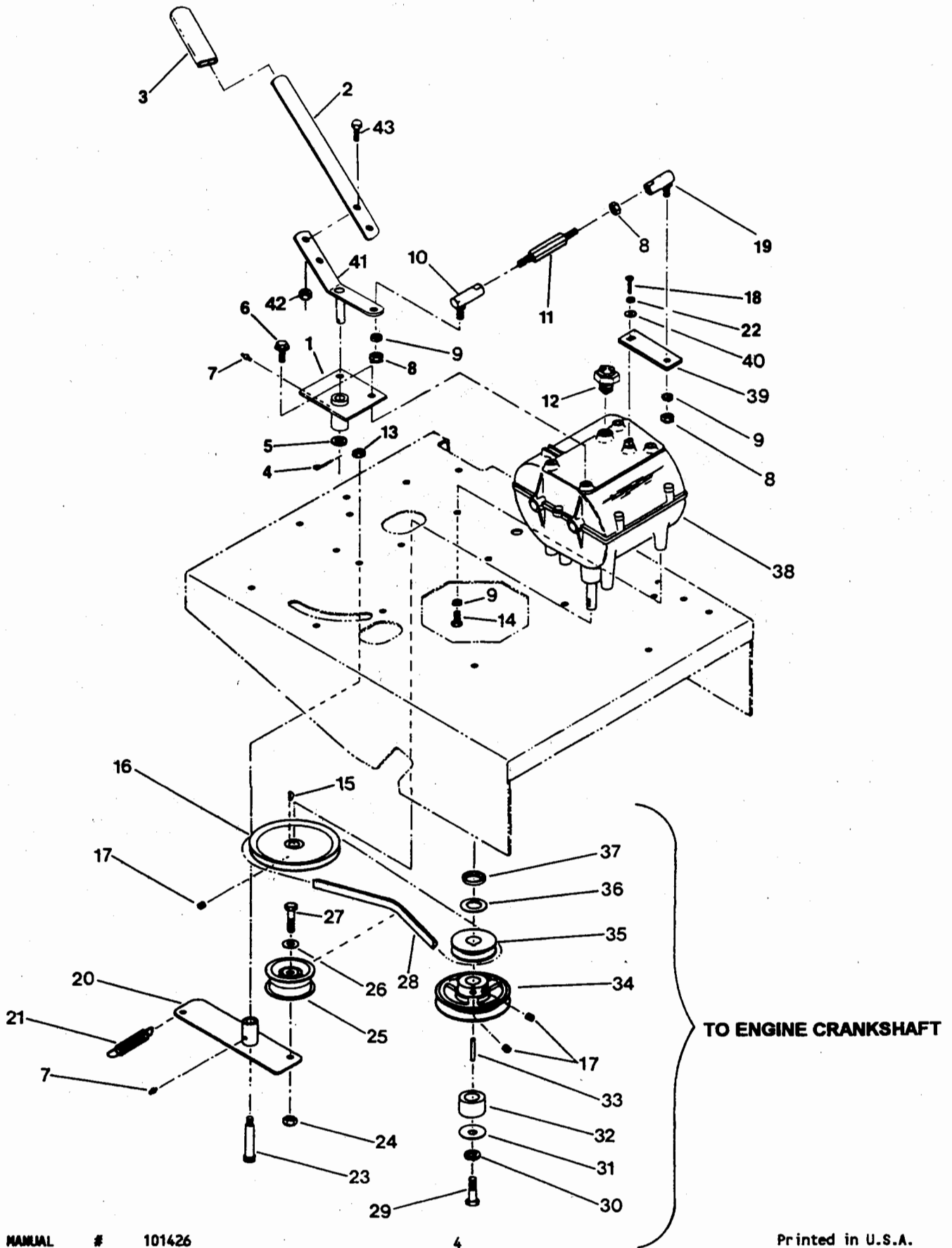
DEALER ADDRESS \_\_\_\_\_

NOTES \_\_\_\_\_  
\_\_\_\_\_  
\_\_\_\_\_  
\_\_\_\_\_  
\_\_\_\_\_  
\_\_\_\_\_  
\_\_\_\_\_  
\_\_\_\_\_  
\_\_\_\_\_  
\_\_\_\_\_  
\_\_\_\_\_  
\_\_\_\_\_  
\_\_\_\_\_  
\_\_\_\_\_  
\_\_\_\_\_  
\_\_\_\_\_  
\_\_\_\_\_  
\_\_\_\_\_  
\_\_\_\_\_  
\_\_\_\_\_  
\_\_\_\_\_  
\_\_\_\_\_  
\_\_\_\_\_  
\_\_\_\_\_  
\_\_\_\_\_

# PARTS LIST INDEX



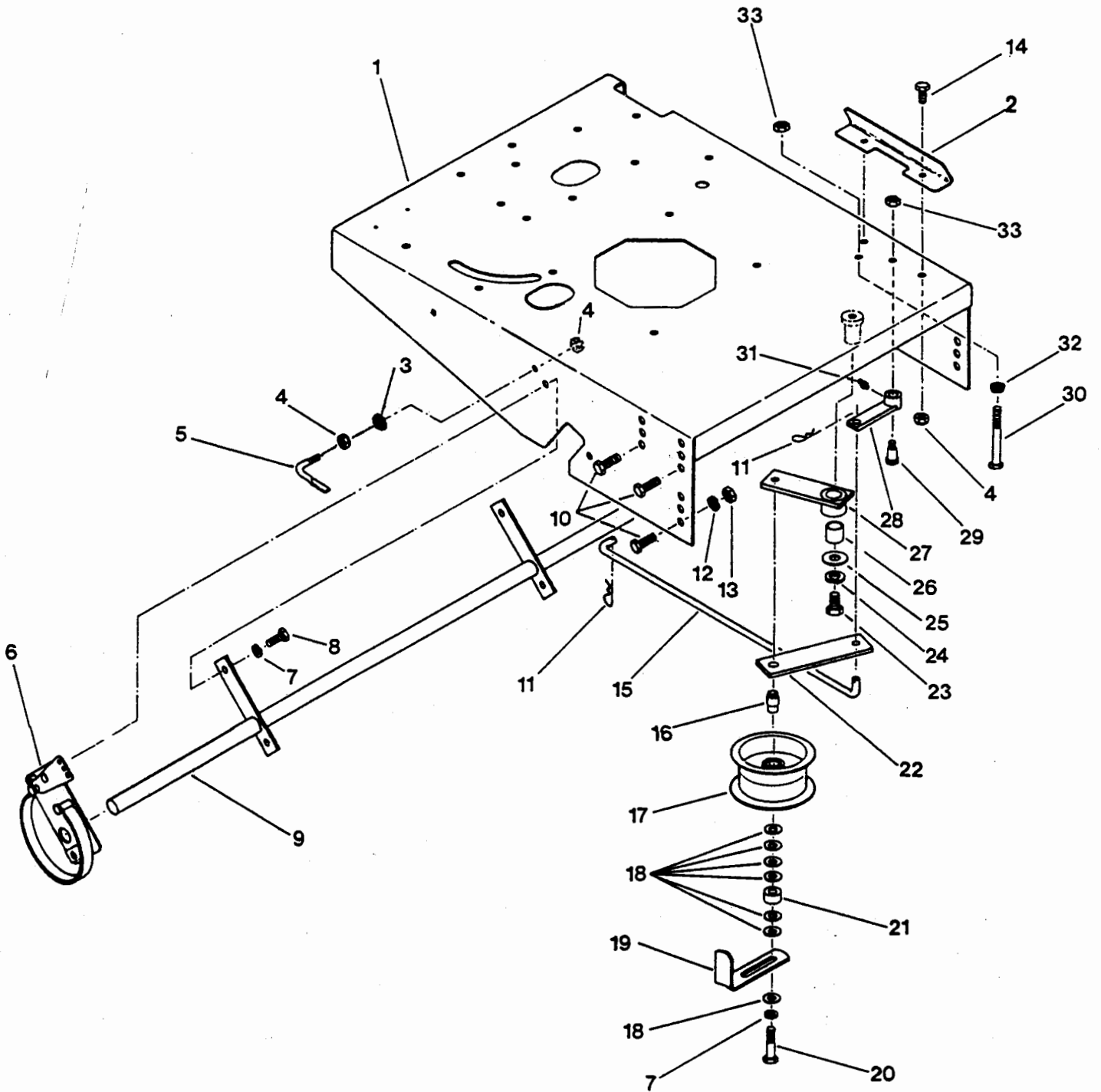
# TRANSMISSION & SHIFTER GROUP



# TRANSMISSION & SHIFTER GROUP

ITEM	PART NO.	QTY.	DESCRIPTION
1	101390	1	Bracket
2	101503	1	Upper Shift Handle
3	976526	1	Grip
4	990365	2	1/8 x 3/4 Cotter Pin
5	991030	2	1/2 ID Mach Bushing
6	990361	2	5/16C x 5/8 Self Tap Bolt
7	976998	2	Zerk
8	990223	3	5/16F Hex Nut
9	990187	2	5/16 Lock Washer
10	916320	2	Ball Joint 5/16F LH
11	100156	1	Short Linkage
12	100148	1	Transmission Switch
13	990546	1	3/8C Prev. Torque Nut
14	976934	4	5/16C x 3/4 Hex Hd. Capscrew
15	910211	1	#9 Woodruff Key
16	100163	1	Transmission Pulley
17	976956	4	5/16 Nyloc Setscrew
18	990100	1	1/4F x 5/8 Hex Hd. Capscrew
19	916319	1	Ball Joint 5/16F RH
20	101387	1	Transmission Idler
21	916159	1	Spring
22	990052	1	1/4 Lock Washer
23	100149	1	1/2 x 2 Shoulder Bolt
24	976979	1	3/8C Nyloc Nut
25	919078	1	Idler Pulley
26	990517	1	3/8 Flat Washer
27	990730	1	3/8C x 1-3/4 Hex Hd. Capscrew
28	101386	1	Transmission Belt
29	100142	1	M10-1.5 x 35M Hex Hd. Capscrew
30	990247	1	7/16 Lock Washer
31	100132	1	Crankshaft Washer
32	100131	1	Crankshaft Spacer
33	100152	1	1/4 Sq. x 1-7/8 Key
34	976398	1	Pulley w/Setscrews
35	919148	1	Pulley
36	916561	1	Mach. Bushing 1" ID
37	921960	1	Spacer
38	100140	1	Transmission
39	100016	1	Shift Link
40	990598	1	1/4 Flat Washer
41	101479	1	Shift Handle
42	976978	2	1/4C Nyloc Nut
43	977761	2	1/4C x 1 Hex Hd. Capscrew

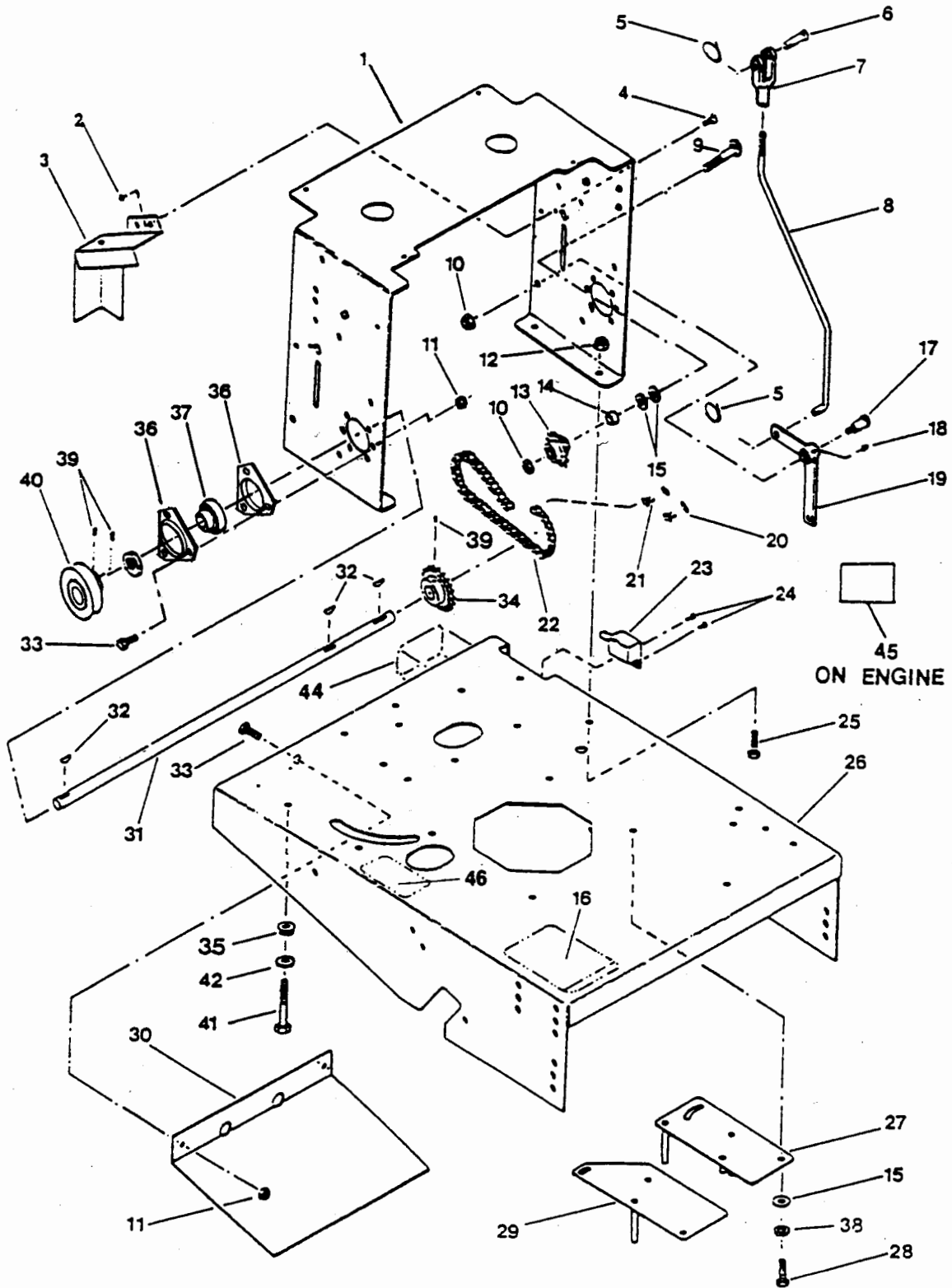
# REAR DECK, BLADE ENGAGEMENT GROUP



# REAR DECK, BLADE ENGAGEMENT GROUP

ITEM	PART NO.	QTY.	DESCRIPTION
1	100363	1	Rear Deck with Decals
2	100031	1	Heat Shield
3	990585	2	5/16C Whiz Nut
4	990717	6	5/16C Nyloc Nut
5	976446	2	Scraper
6	976339	1	Brake Assembly, Right (Shown)
-	976340	1	Brake Assembly, Left (Not Shown)
7	990118	5	3/8 Lock Washer
8	990563	4	3/8C x 1 Hex Hd. Capscrew
9	976377	1	Axle 36" & 48"
10	100143	6	7/16C x 1 Hex Hd. Capscrew
11	976989	2	#4 Hairpin
12	990247	6	Lock Washer, 7/16
13	990449	6	7/16C Hex Nut
14	976934	2	5/16C x 3/4 Hex Hd. Capscrew
15	100079	1	Blade Rod
16	100059	1	Idler Pivot
17	101340	1	Idler Pulley
18	990517	7	3/8 Flat Washer
19	100075	1	Snubber
20	923463	1	3/8C x 3-1/4 Hex Hd. Capscrew
21	923515	1	Spacer
22	100076	1	Link
23	990767	1	5/8 x 1 Hex Hd. Capscrew
24	990333	1	5/8 Lock Washer
25	976982	1	5/8 Flat Washer
26	976452	1	Bushing
27	976386	1	Idler Arm, w/Bushing
28	100069	1	Overcenter Link
29	100150	1	1/2 x 3/4 Shoulder Bolt
30	923463	1	3/8C x 3-1/4 Hex Hd. Capscrew
31	976998	1	Zerk
32	990613	1	3/8C Whiz Nut
33	990546	2	3/8C Prev. Torque Nut

# TANK SUPPORT ASSEMBLY

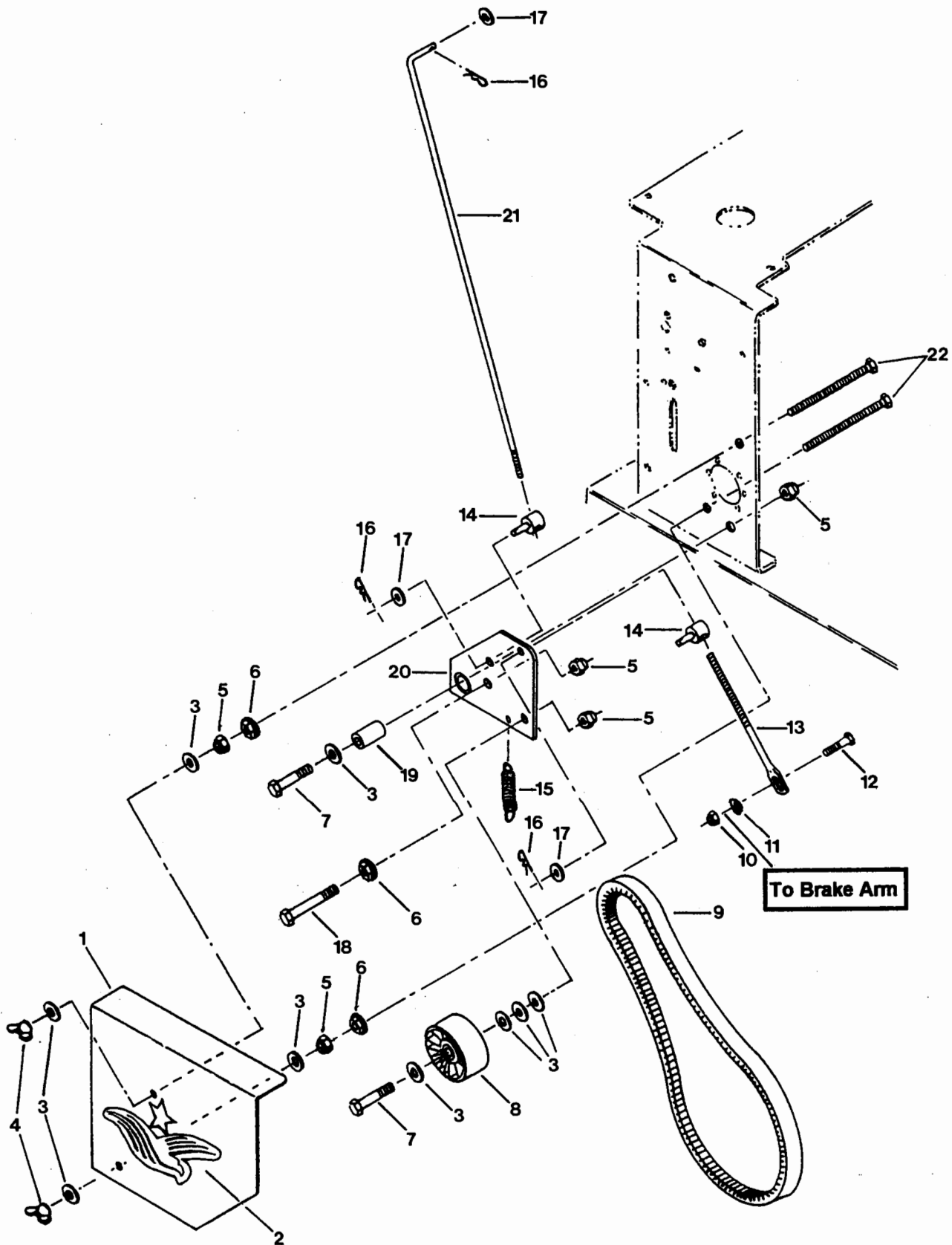




# TANK SUPPORT ASSEMBLY

ITEM	PART NO.	QTY.	DESCRIPTION
1	101442	1	Tank Support
2	976978	3	1/4 Nyloc Nut
3	100080	1	Chain Guard
4	990580	3	1/4C x 3/4 Hex Hd. Capscrew
5	916459	2	Retainer
6	977703	1	Clevis Pin
7	977465	1	Yoke
8	100130	1	Blade Rod
9	100145	1	3/8C x 2 Carriage Bolt
10	990546	2	3/8C Prev. Torque Locknut
11	990717	8	5/16C Nyloc Nut
12	976979	4	3/8C Nyloc Nut
13	100095	1	Idler Sprocket
14	923515	1	Spacer
15	990517	6	3/8 Flat Washer
16	100342	1	Warning Decal
17	100150	1	1/2 x 3/4 Shoulder Bolt
18	976998	1	Zerk
19	100066	1	Bell Crank
20	100366	1	Connecting Link
21	100365	1	Offset Link
22	100364	1	Roller Chain
23	919098	1	Switch
24	977873	2	Self Tapping Screw
25	990563	3	3/8C x 1 Hex Hd. Capscrew
26	100363	1	Rear Deck w/Decals
27	100138	1	Belt Guide Plate (Left)
28	977692	4	M8-1.25 x 25M
29	100139	1	Belt Guide Plate (Right)
30	100352	1	Lower Belt Shield
31	100264	1	Jack Shaft
32	915894	3	Woodruff Key
33	976934	8	5/16C x 3/4 Hex Hd. Capscrew
34	100260	1	Sprocket
35	990613	1	3/8C Flange Nut
36	100261	4	Bearing Flange
37	100259	2	Bearing & Lock Collar
38	990118	4	3/8 Lock Washer
39	976956	5	5/16 Nyloc Setscrew
40	101447	2	Output Pulley
41	990588	1	3/8C x 2 Hex Hd. Capscrew
42	990692	1	5/16 Flat Washer
44	100361	1	Danger Decal
45	100128	1	Exhaust Decal
46	101881	1	Decal, Prop. 65

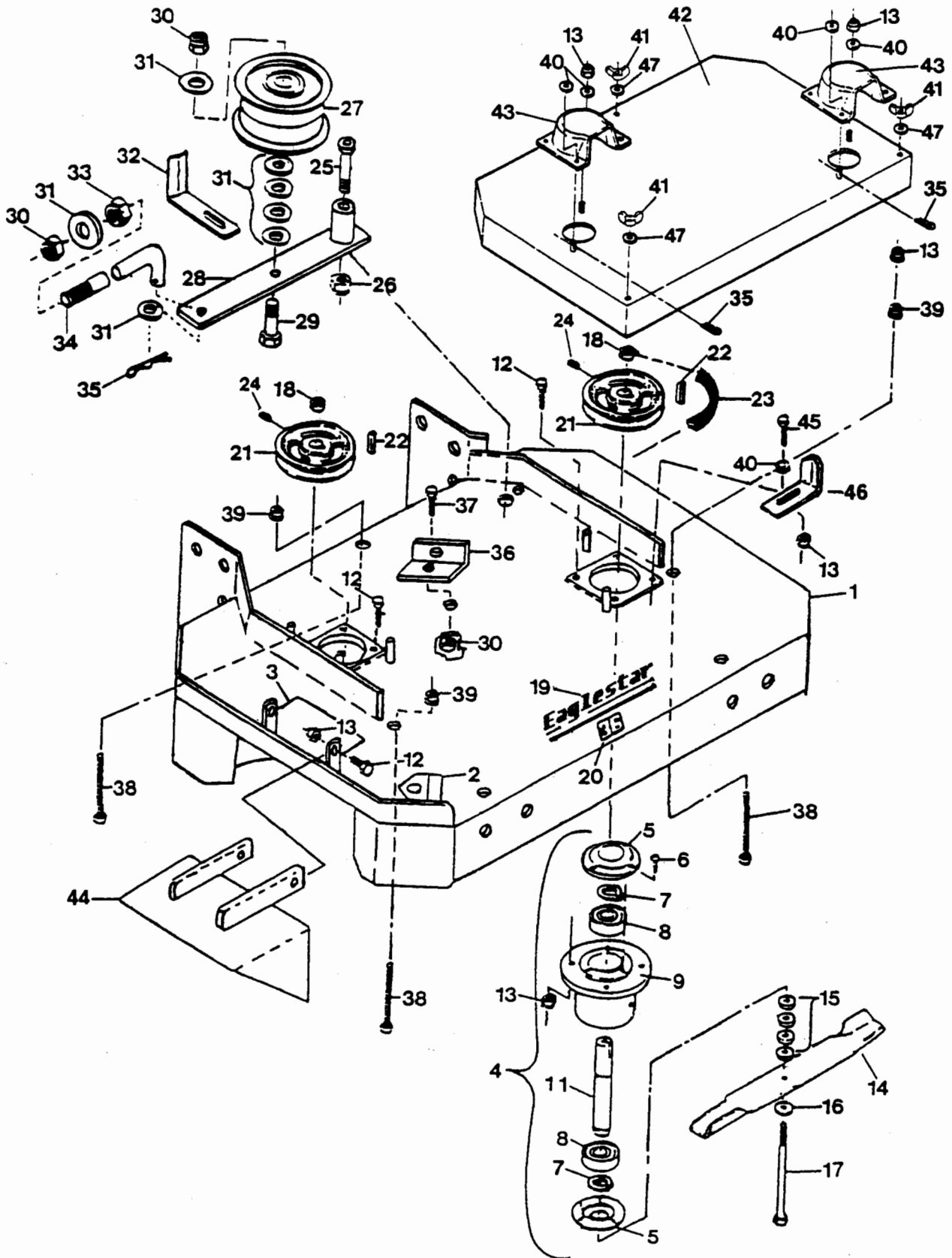
# WHEEL DRIVE ASSEMBLY



# WHEEL DRIVE ASSEMBLY

ITEM	PART NO.	QTY.	DESCRIPTION
1	101379	2	Fender
2	101439	2	Decal, Small
3	990517	18	3/8 Flat Washer
4	991049	4	3/8C Wing Nut
5	976979	10	3/8C Nyloc Nut
6	990613	6	3/8C Whiz Nut
7	990588	4	3/8C x 2 Hex Hd. Capscrew
8	919225	2	Idler Pulley
9	101361	2	Traction Belt
10	990717	2	5/16C Nyloc Nut
11	990585	2	5/16C Whiz Nut
12	100469	2	5/16C x 1 1/4 Hex Hd. Capscrew
13	976431	2	Linkage, Brake
14	976434	4	Swivel, Short
15	976439	2	Spring
16	976988	6	#2 Hairpin
17	990692	6	5/16 Flat Washer
18	990629	2	3/8C x 2 1/4 Hex Hd. Capscrew
19	100238	2	Sleeve
20	101382	1	Idler Arm, Right (Shown)
--	101383	1	Idler Arm, Left (Not Shown)
21	977875	2	Rod, Traction
22	991131	4	3/8C x 4" Tap Bolt

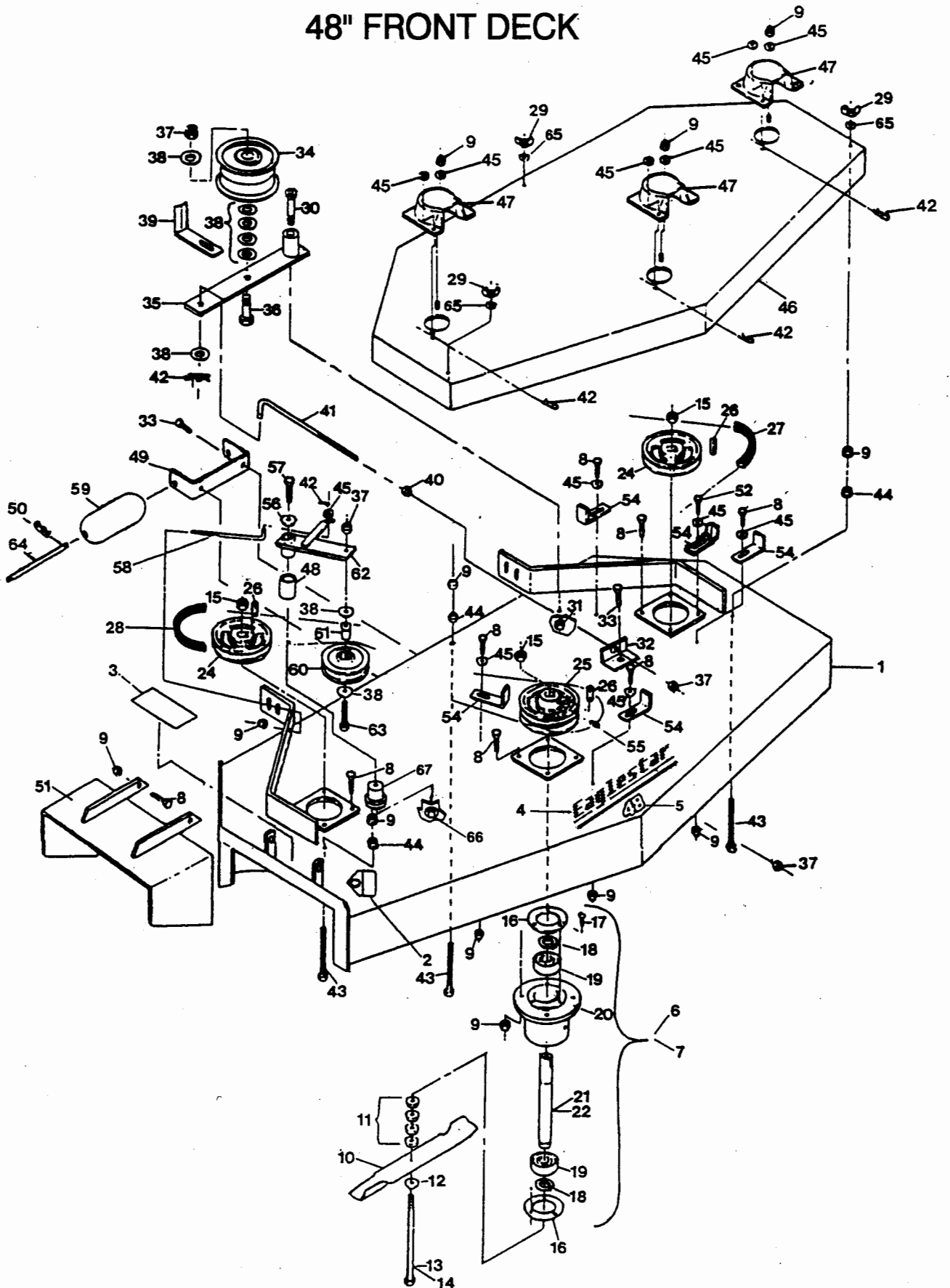
# 36" FRONT DECK



# 36" FRONT DECK

ITEM	PART NO.	QTY.	DESCRIPTION
1	100362	1	36 Deck w/Decals
2	913010	1	Decal, CPSC
3	100344	1	Decal, Danger
4	101455	2	Cutter Housing - Complete
5	919096	2	Cutter Housing Cap
6	990644	6	10-24 x 1/2 Hex Washer Hd. Screw
7	923548	2	Retaining Ring
8	976510	2	Bearing, Cutter Housing
9	101441	1	Cutter Housing
11	923418	1	Cutter Hsg. Spindle
12	990209	8	5/16C x 1-1/4 Hex Hd. Capscrew
13	990717	16	5/16C Nyloc Nuts
14	101371	2	Blade, 18"
15	976436	8	Blade Spacer
16	976982	2	Flat Washer 5/8
17	976946	2	5/8F x 7-1/2 Hex Hd. Capscrew
18	976980	2	5/8F Hex Nut
19	101438	1	Decal, Large
20	101537	1	Decal, 36"
21	976398	2	Pulley w/Setscrews
22	912757	2	Key 1/4 Sq. x 1-1/4
23	101372	1	Belt, Eng. to Deck
24	976956	4	Setscrews
25	100149	1	Shoulder Bolt 1/2 x 2
26	990546	1	3/8C Prevailing Torque Nut
27	100089	1	Idler Pulley
28	100060	1	Idler Weldment
29	990637	1	3/8C x 2-1/2 Hex Hd. Capscrew
30	976979	3	3/8C Nyloc Nut
31	990517	7	Flat Washer 3/8
32	100075	1	Snubber
33	990613	1	3/8C Flange Nut
34	100112	1	Tension Rod
35	976988	3	Hair Pin
36	100057	1	Tension Bracket
37	990563	1	3/8C x 1 Hex Hd. Capscrew
38	100271	4	5/16C x 4-1/2 Tap Bolt
39	990585	4	5/16C Whiz Nut
40	990692	7	Flat Washer 5/16
41	100276	3	5/16C Nyloc Wing Nut
42	976385	1	Belt Shield 36"
43	976524	2	Spindle Cover
44	100346	1	Chute Deflector
45	991066	2	3/16 x 1-1/2 Hex Hd. Capscrew
46	932874	2	Belt Guide
47	101704	6	5/16 Sealing Washer

# 48" FRONT DECK

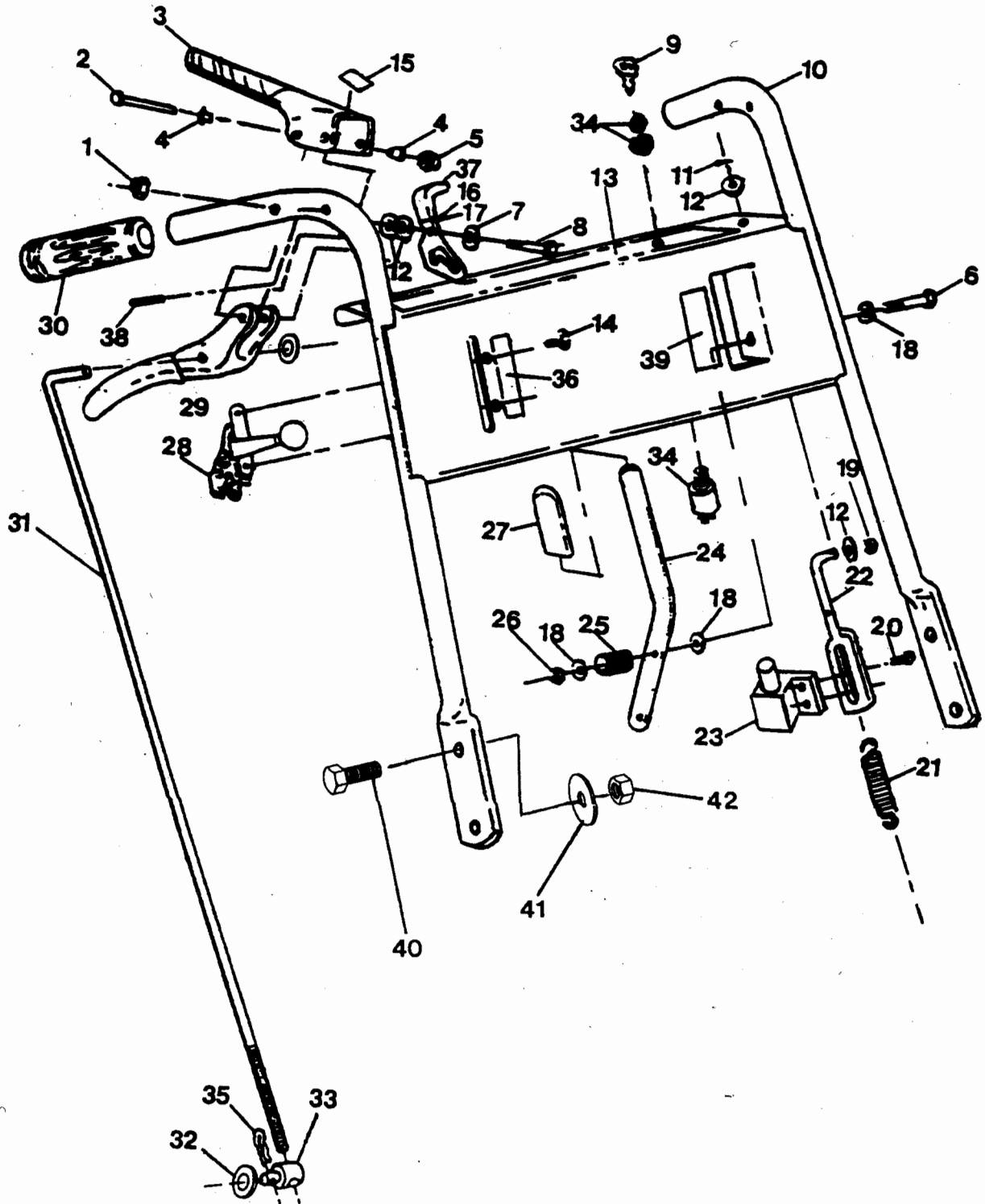


# 48" FRONT DECK

ITEM	PART NO.	QTY.	DESCRIPTION
1	100360	1	48 Deck w/Decals
2	913010	1	Decal, CPSC
3	100344	1	Decal, Danger
4	101438	1	Decal, Large
5	101369	1	Decal, 48"
6	101455	2	Cutter Housing (Short Spindle)
7	101446	1	Cutter Housing (Long Spindle)
8	990209	17	5/16C x 1-1/4 Hex Head Capscrew
9	990717	21	5/16C Nyloc Nut
10	101366	3	Blade 16-1/4"
11	976436	12	Blade Spacer
12	976982	3	5/8 Flat Washer
13	976946	2	5/8F x 7-1/2 Hex Hd. Capscrew
14	976947	1	5/8F x 8 Hex Hd. Capscrew
15	976980	3	5/8F Hex Nut
16	919096	2	Cutter Housing Cap
17	990644	6	10-24 x 1/2 Hex Washer Hd. Screw
18	923548	2	Retaining Ring
19	976510	2	Bearing, Cutter Housing
20	101441	1	Cutter Housing
21	923418	1	Cutter Hsg. Spindle (Short)
22	927710	1	Cutter Hsg. Spindle (Long)
24	976398	2	Pulley w/Setscrews
25	976648	1	Pulley, Double w/Setscrews
--	919101	1	Taperlock Sheave(Replaces 976648)
--	923381	1	Taperlock Bushing (used with 919101)
26	912757	3	1/4Sq x 1-1/4 Key
27	101367	1	Belt, Eng. to Dk. (48")
28	101368	1	Belt, Blade (48")
29	100276	3	5/16" Nyloc Wingnut
30	100149	1	1/2 x 2 Shoulder Bolt
31	990546	1	3/8C Prev. Torque Lock Nut
32	100057	1	Tension Bracket
33	990563	9	3/8C x 1 Hex Hd. Capscrew
34	100089	1	Idler Pulley
35	100060	1	Idler Weldment
36	990637	1	3/8C x 2-1/2 Hex Hd. Capscrew

ITEM	PART NO.	QTY.	DESCRIPTION
37	976979	2	3/8C Nyloc Nut
38	990517	8	3/8 Flat Washer
39	100075	1	Snubber
40	990613	1	3/8C Flange Nut
41	100112	1	Tension Rod
42	976988	5	Hairpin
43	100271	3	5/16C x 4-1/2 Tap Bolt
44	990585	3	5/16C Whiz Nut
45	990692	12	5/16C Flat Washer
46	976651	1	Belt Shield
47	976524	3	Spindle Cover
48	976452	2	Bushing
49	976829	1	Roller Bracket
50	990297	2	1/8 x 1-1/2 Cotter Pin
51	100346	1	Chute Deflector
52	991066	1	5/16C x 1-1/2 Hex Hd. Caps
54	932874	5	Belt Guide
55	976956	6	Set Screw
56	990550	1	1/2" Flat Washer
57	101332	1	HCS 1/2C x 2 3/4
58	976683	1	Rod, Belt Tension
59	976828	1	Roller (Anti-Scalp)
60	976688	1	Idler Pulley
61	976695	1	Idler Flange Bushing
62	976647	1	Idler Arm w/Bushing
63	990588	1	3/8C x 2 Hex Hd. Capscre
64	976827	1	Axle
65	101704	6	5/16 Sealing Washer
66	101331	1	1/2C Nyloc Nut
67	101231	1	Idler Spindle

# UPPER HANDLE

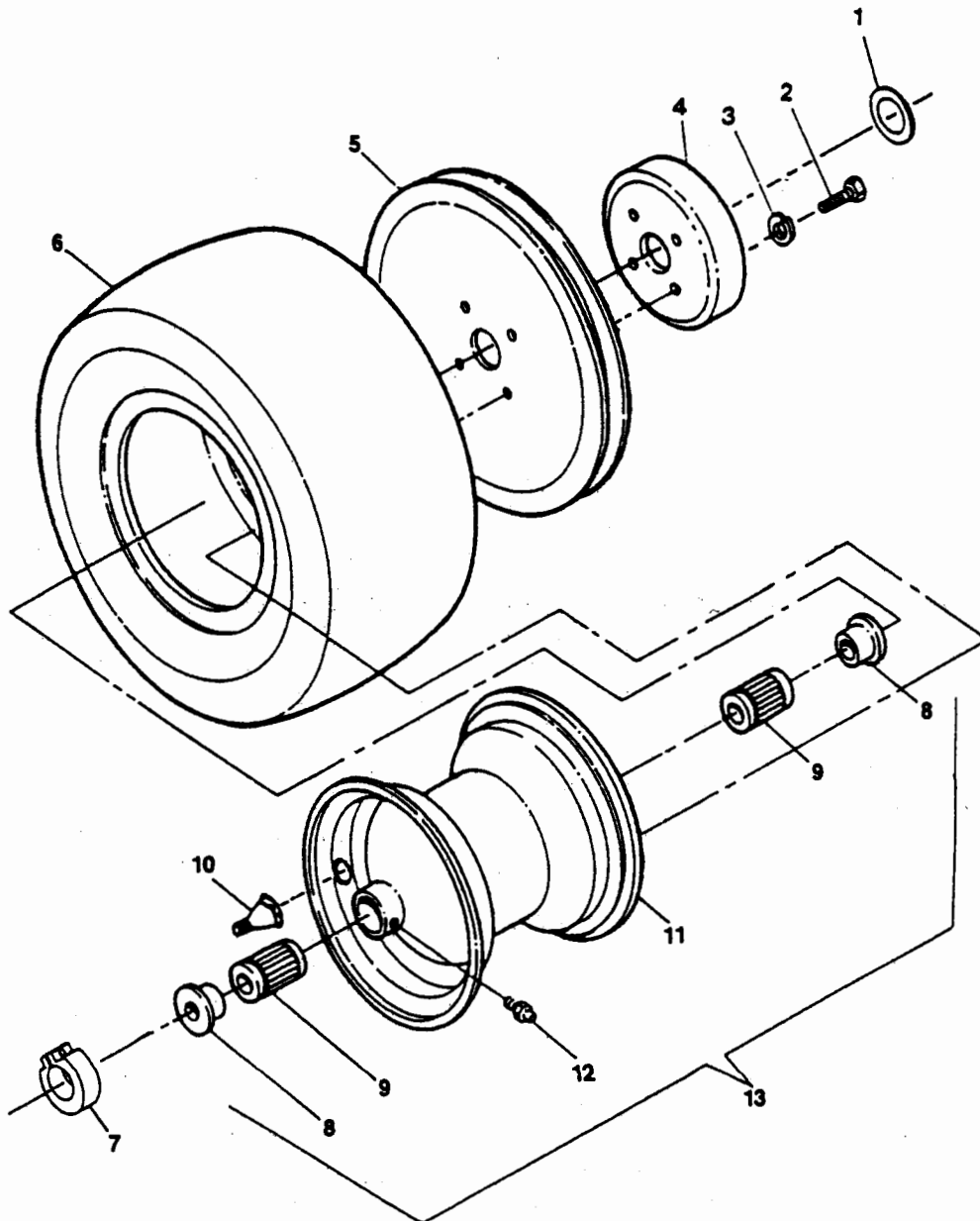




# UPPER HANDLE

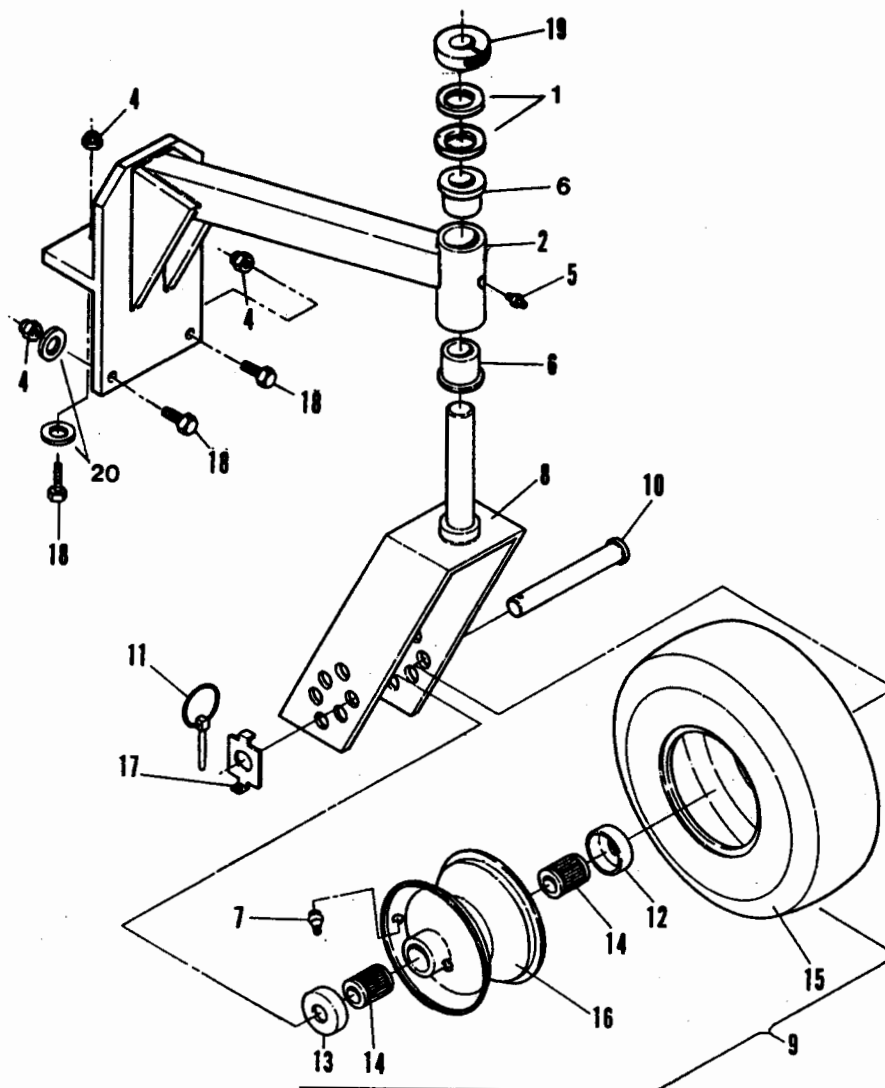
ITEM	PART NO.	QTY.	DESCRIPTION
1	990761	2	1/4C Prev. Torque Nut
2	977884	2	Pin, Clevis
3	100359	2	Lever, OP w/Decal
4	977886	4	Bushing
5	914734	2	Push Nut
6	990588	1	3/8C x 2 Hex Head Capscrew
7	976983	2	Washer, Wave Spring
8	991003	2	1/4C x 1-3/4 Hex Head Capscrew
9	911138	1	Key
10	101428	1	Upper Handle, w/Decals
11	990555	2	Cotter Pin 3/32 x 1/2
12	990055	10	Flat Washer, 1/4 SAE
13	100284	1	Decal, Operation
14	990302	2	Screw, Self Tapping
15	100285	2	Decal, Thumbatch
16	976387	1	Latch, Thumb w/Grip Left
17	976388	1	Latch, Thumb w/Grip Right
18	990517	3	Flat Washer 3/8
19	977874	2	E-Ring
20	977873	4	Screw, Thread Forming
21	977250	2	Spring
22	100029	2	O. P. Linkage
23	919098	2	Switch
24	100082	1	Lever
25	976438	1	Compression Spring
26	976979	1	3/8C Nyloc Nut
27	976526	1	Grip
28	100039	1	Ball Throttle
29	101791	2	Lever, Molded
30	976488	2	Grip, Handle
31	977875	2	Traction Rod
32	990692	4	Flat Washer 5/16
33	976434	2	Swivel, Short
34	911853	1	Switch
35	976988	4	Hairpin, No.2
36	916225	1	Decal, Throttle
37	976527	2	Grip
38	923313	2	Roll Pin 5/16 x 1-1/8
39	977912	1	Decal, Blade
40	990563	4	3/8 x 1 hex head capscrew
41	990517	4	3/8 flat washer
42	976979	4	3/8 nyloc nut

# TRACTION WHEEL ASSEMBLY



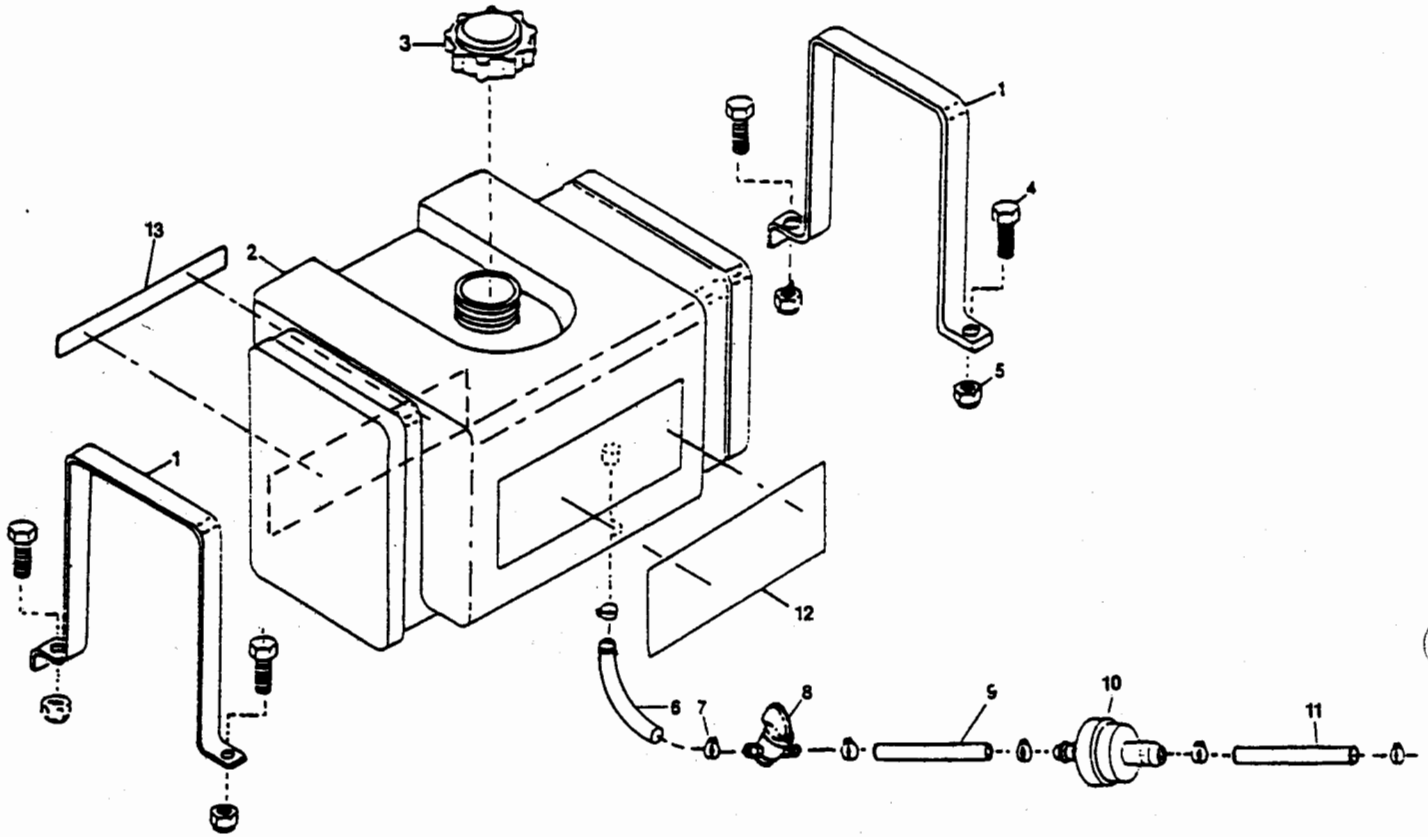
ITEM	PART NO.	QTY.	DESCRIPTION
1	923787	1	7/8" ID Machinery Bushing
2	976942	4	3/8F x 5/8" Hex Hd. Capscrew
3	990118	4	3/8 Lock Washer
4	919224	1	Brake Hub
5	976522	1	Traction Pulley
6	102140	1	Tire
7	977000	1	7/8" Clamp Collar
8	977312	2	End Cap
9	977313	2	Roller Bearing (Long)
10	912234	1	Air Valve
11	977290	1	Rim (Includes Items 10 & 12)
12	976998	1	Zerk
13	976407	1	Complete Wheel Assy. (Incl. Items 6,8,9,10,11, & 12)

# FRONT CASTER ASSEMBLY



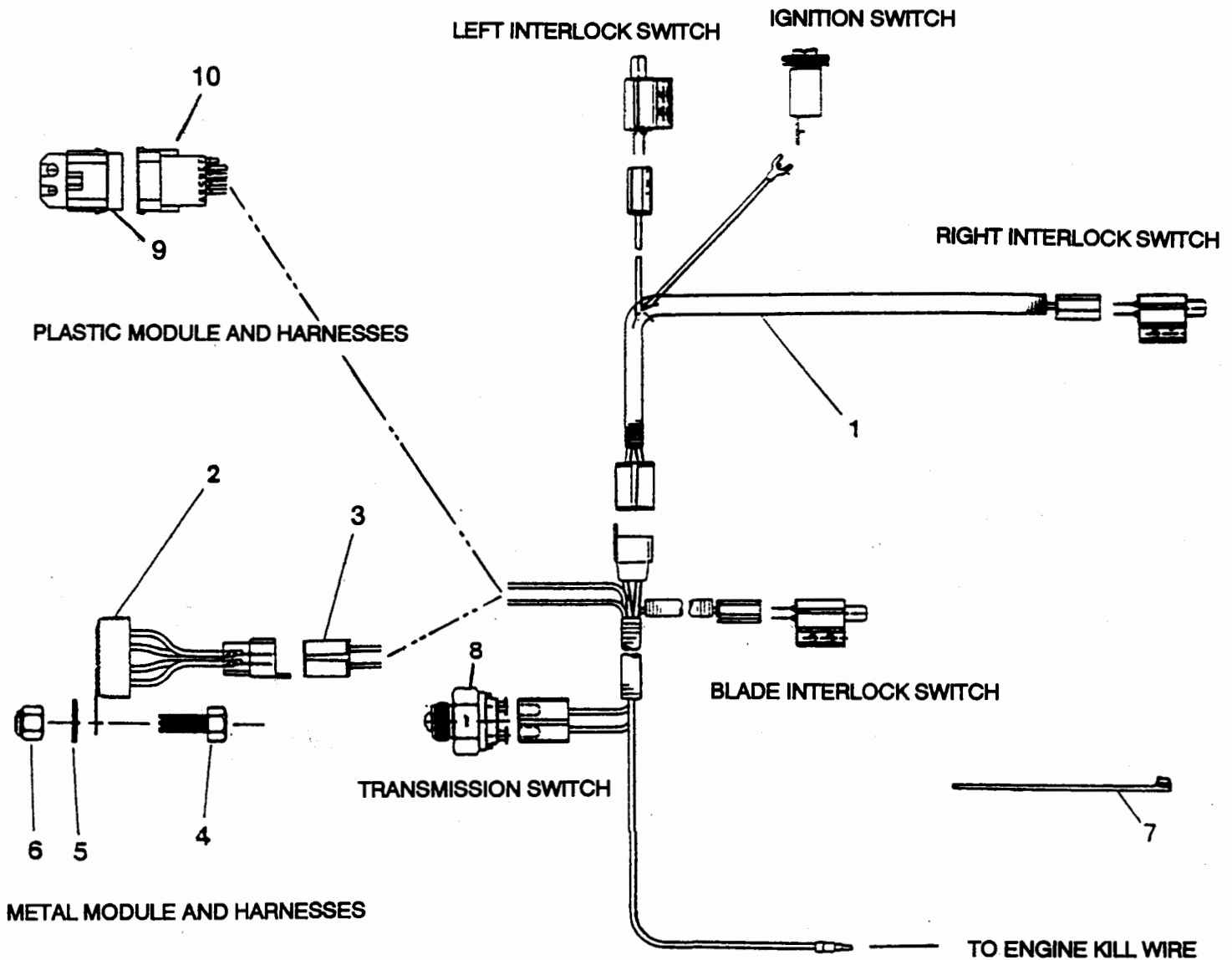
ITEM	PART NO.	QTY.	DESCRIPTION
1	923787	2	Machinery Bushing 7/8"
2	102139	1	Caster Arm with Bushings
4	976979	3	3/8C Nyloc Nut
5	976997	1	Zerk, 1/8NPT Straight
6	101232	2	Flanged Bushing
7	912234	1	Tubeless Valve
8	976401	1	Caster Yoke
9	976408	1	Tire/Wheel Assembly
10	976549	1	Caster Axle
11	976967	1	Linch Pin 3/16"
12	923557	1	End Cap
13	977356	1	Notched End Cap
14	977353	2	Roller Bearing
15	977346	1	Sawtooth Tread Tire, 4.10/3.50 x 4 (2 PLY)
16	977350	1	Rim
17	977720	1	Tab Washer
18	990563	3	3/8C x 1" Hex Head Capscrew
19	977000	1	Clamp Collar 7/8"
20	990517	3	3/8 Flat Washer

# FUEL TANK ASSEMBLY



ITEM	PART NO.	QTY.	DESCRIPTION
1	100012	2	Tank Strap
2	100135	1	Fuel Tank
3	914363	1	Gas Cap
4	977761	4	1/4C x 1 Hex
5	976978	4	1/4C Nyloc Nut
6	932038	1	Gas Line 5" 12.5 HP Kawasaki
6	932956	1	Gas Line 10" 14 HP Kawasaki
7	912222	6	Hose Clamp
8	916325	1	Fuel Valve
9	932038	1	Gas Line 5"
10	914359	1	Fuel Filter
11	932038	1	Gas Line 5" 12.5 HP Kawasaki
11	977351	1	Gas Line 3 1/2" 14 HP Kawasaki
12	101438	1	Decal, Large
13	100277	1	Decal, Shift

# WIRING HARNESS

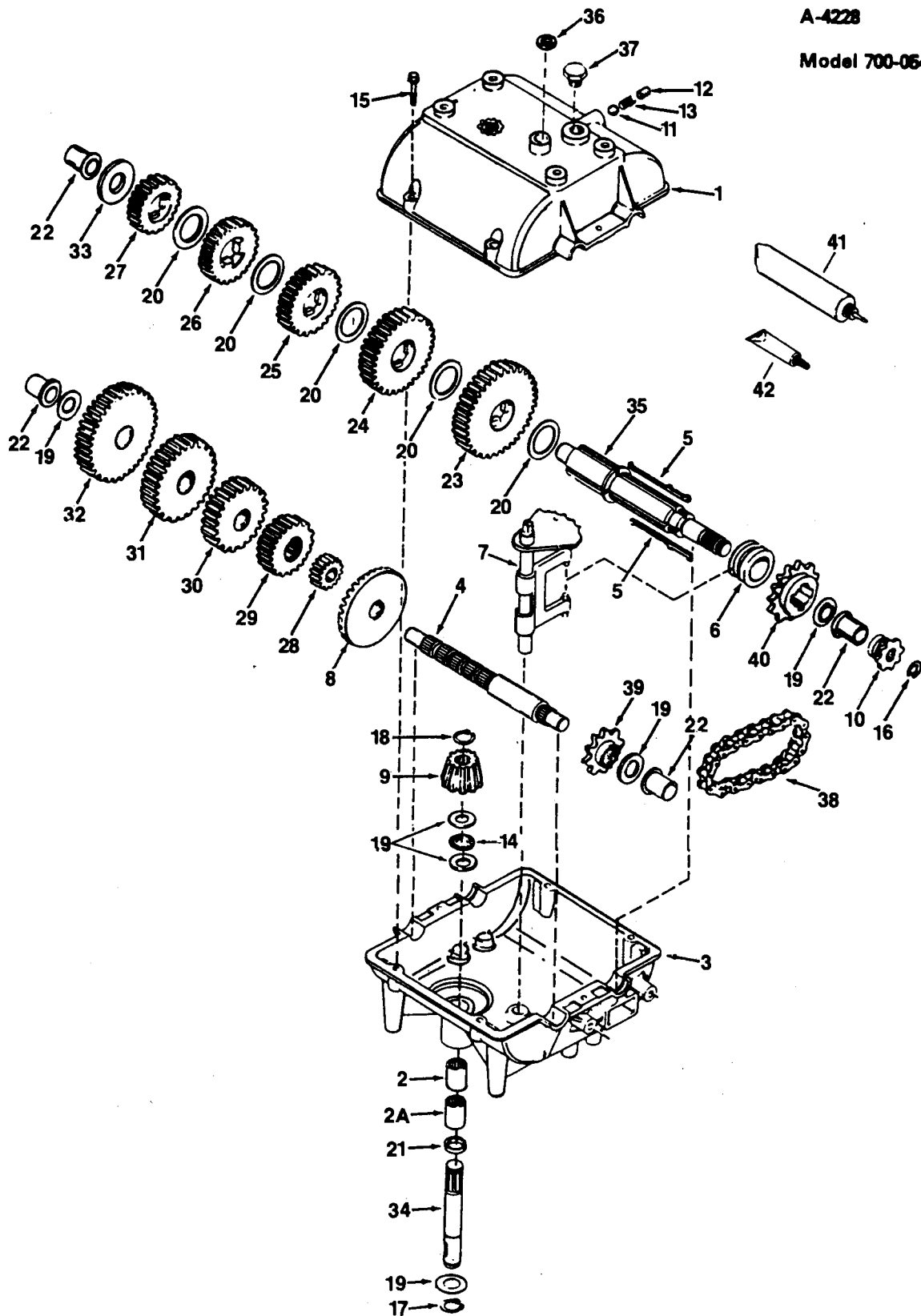


ITEM	PART NO.	QTY.	DESCRIPTION
1	100042	1	Upper Handle Wiring Harness
2	100078	1	Safety Interlock Module
3	100047	1	Lower Wiring Harness
4	990580	1	1/4-20 x 3/4 Capscrew
5	990053	1	1/4 Internal Tooth Lockwasher
6	976978	1	1/4-20 Nyloc Nut
7	976856	3	Wire Tie
8	100148	1	Transmission Switch
9	101781	1	Module
10	102073	1	Lower Wiring Harness

# TRANSMISSION PARTS

A-4228

Model 700-064



# TRANSMISSION PARTS LIST

ITEM	PART NO.	QTY.	DESCRIPTION
1	100371	1	Cover, Transmission
2	977576	1	Bearing, Needle
2A	977592	1	Bearing, Needle
3	977553	1	Case, Transmission
4	977564	1	Shaft, Counter
5	977582	4	Key
6	977561	1	Collar, Shift
7	977580	1	Rod & Fork Assy., Shift
8	977565	1	Gear, Bevel (42 Teeth)
9	100372	1	Bevel Pinion, Input
10	100373	1	Sprocket (8 Teeth)
11	977583	1	Ball, Steel, 5/16"
12	977584	1	Screw, Set, 3/8-16 x 3/8
13	977585	1	Spring
14	100374	1	Bearing, Thrust
15	977581	6	Screw, Flanged Hex Hd. Thrdforming, 1/4-20 x 1-1/4
16	100375	1	Ring, Retaining (inverted)
17	977577	1	Ring, Retaining
18	977579	1	Ring, Retaining
19	977575	6	Washer, Thrust
20	977586	5	Washer, Thrust
21	977587	1	O Ring
22	977573	4	Bushing, Flanged
23	100376	1	Gear, Spur (35 Teeth)
24	100377	1	Gear, Spur (30 Teeth)
25	100378	1	Gear, Spur (25 Teeth)
26	100379	1	Gear, Spur (22 Teeth)
27	100380	1	Gear, Spur (20 Teeth)
28	100381	1	Gear, Spur (15 Teeth)
29	100382	1	Gear, Spur (20 Teeth)
30	100383	1	Gear, Spur (25 Teeth)
31	100384	1	Gear, Spur (28 Teeth)
32	100385	1	Gear, Spur (30 Teeth)
33	100386	1	Washer
34	977571	1	Shaft, Input
35	100387	1	Shaft, Output
36	100388	1	Seal, Square Cut
37	100148	1	Switch
38	977574	1	Chain, Roller (No. 41 Chain, 24 Links)
39	977563	1	Sprocket (9 Teeth)
40	977562	1	Sprocket (18 Teeth)
41	100390	1	Grease (32 oz. Bottle Bentonite Grease)
42	100391	1	Adhesive (Loctite #515)